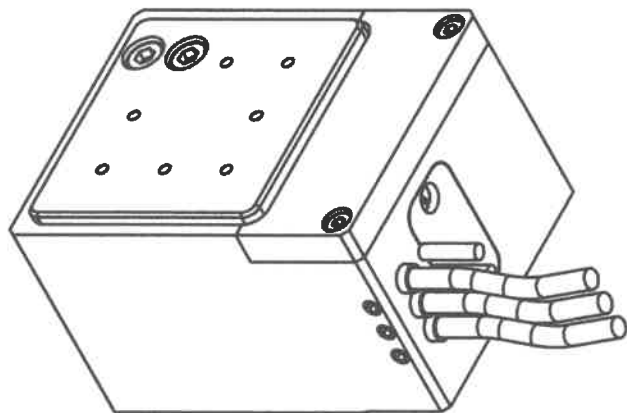
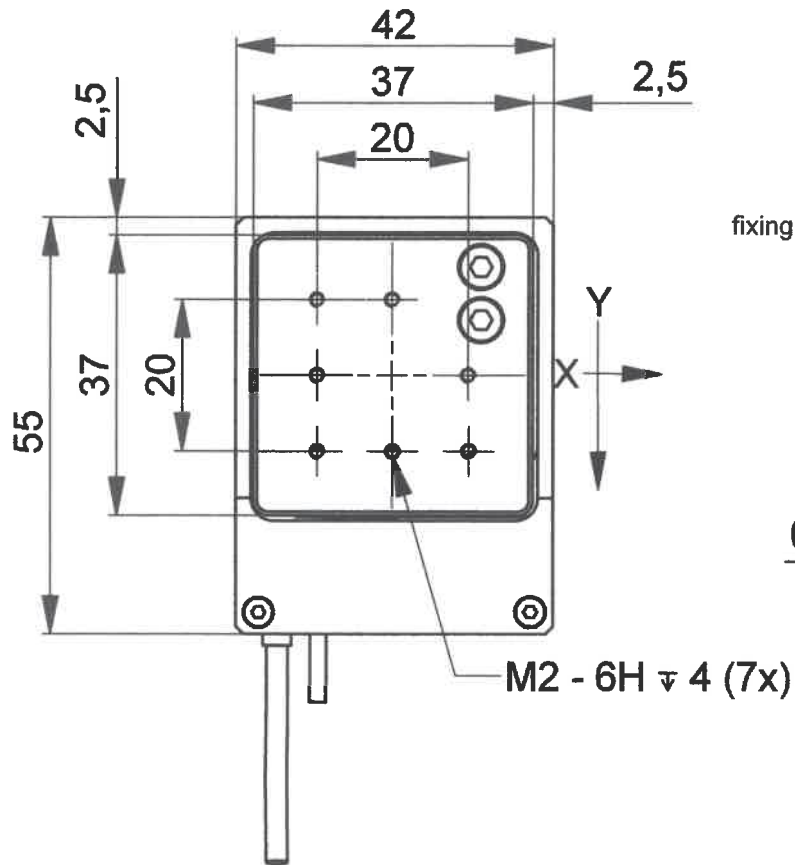
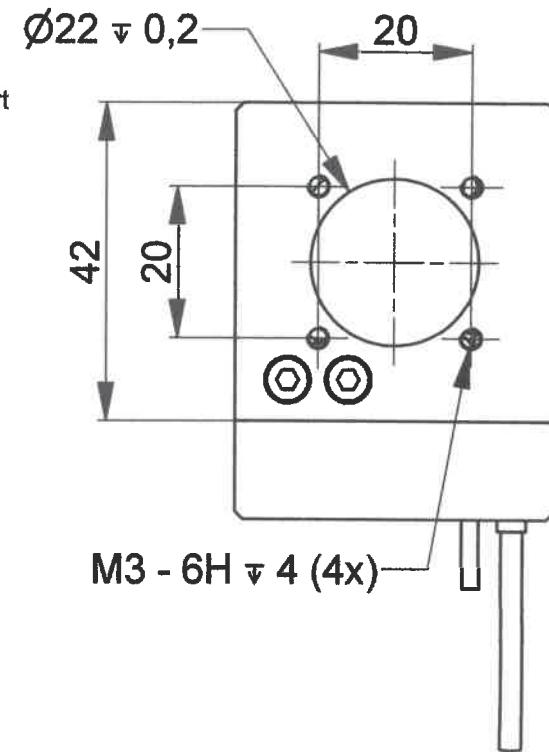
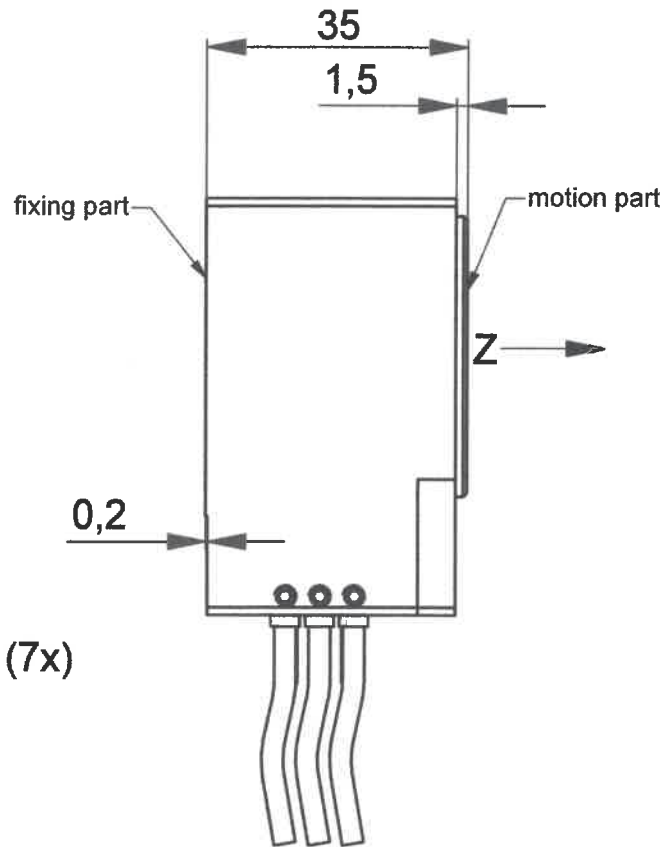


TOP



BOTTOM



Material:
moving parts stainless steel
housing Alu black

T-402-06: version standard; cable 1,6m; connectors LEMO
T-402-06E: version EXT cable 2m; connectors LEMO
T-402-06D: version DIG cable 2m; connectors D-Sub

ORIGINAL

part.-no.		part.-name	
T-402-06		Tritor 50 CAP	
file name		OK: date/sign.	
PT402-06		28 JUN 2017	
		scale	customers drawing
		1:1	piezosystem jena